

KL7VXIP

KLASS

7" Connected video intercom, hands-free full-duplex audio speaker for the IPure System



Elegance, Exclusivity, No Limits Integration.

Klass is a prestigious device, a super-stylish video intercom featuring ultra-slim design and 3mm glass finish.

7" TFT LCD monitor

with high resolution capacitive touch screen and OSD menus

Full-duplex hands free

with optional handset

8 freely configurable buttons

Thermostat feature

Intercommunication function

through GUI

PoE technology

Allows power supply via UTP cable

Induction coil for hearing aid users

Surface or tabletop installation



THE POWER TO SECURE



KL7VXIPW



KL7VXIPB



KL7VXIPW + KLHWS



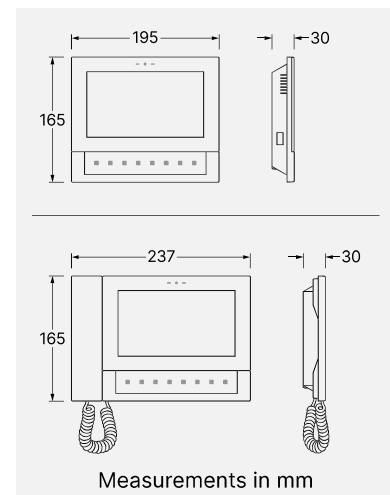
KL7VXIPB + KLHSB

Technical characteristics

Display	7" 16/9 high resolution (1024×600 pixels IPS) LCD TFT full touch capacitive touchscreen
Handset/Hands free	Hands free or Handset (Part No. KLHWS or KLHSB)
Front plate	3mm glass cover lens
Built-in camera	Hi-res up to 1080p colour camera
Buttons¹ (Default settings)	8 soft touch backlit push buttons, all programmable for direct controls (service, camera recall, door-open/intercommunicating call, privacy)
Privacy	Yes, timed
Operating system	Linux OS
Video streaming	From external IP cameras H.264, H.265 and MJPEG
Open protocol	HTTP (API), SIP 2.0 (VOIP), RTSP
Programmings	Service, Privacy duration, Number of rings, Intercommunicating call, Melody type, Door panels phonebook
Interfaces	10/100 Mbps Ethernet, Optional WiFi dongle connection
CCTV compatibility	Yes, IP-based with RTSP
Sensors	Proximity sensor for user presence detection, Brightness sensor for automatic screen brightness adjustment, for automatic switching to light/dark theme and for home automation High quality integrated temperature and humidity sensors (Smart chronothermostat)
SIP compliant	Yes
Induction coil for hearing aid users	Yes
RJ-45 plug	Yes
Inputs	2 programmable active low inputs
Outputs	2 programmable dry contacts
Dimensions	195×165×30mm, 237×165×30mm with Part No. KLHWS or KLHSB
Power supply	PoE (802.3af Class 0 - 12.95W) or 12Vdc (650mA)
Mounting	Surface mount direct to wall or via tabletop stand Part No. KLHFTS or KLHSTS
Finishes	White Part No. KL7VXIPW or Black Part No. KL7VXIPB

¹ Some buttons are used for multiple functions.

Measurements



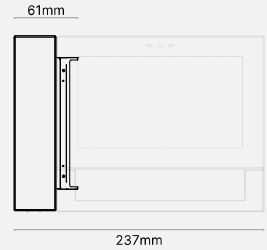
Measurements in mm

Accessories



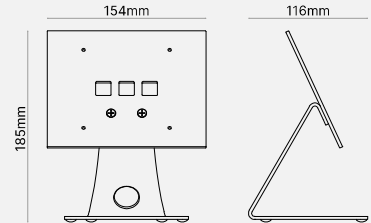
KLHSW KLHSB

Klass Series Handset with magnetic cradle and cord.
White or black ABS material.
Dimensions 42×165×30mm.



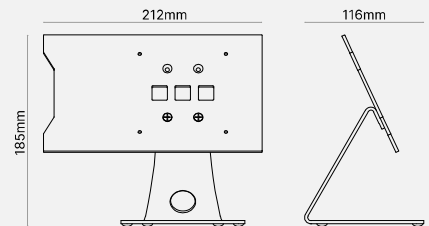
KLHFTS

Klass Series, hands-free, table stand.
Satin finish stainless steel material.
Dimension 154×185×116mm.



KLHSTS

Klass Series, with handset, table stand.
Satin finish stainless steel material.
Dimension 212×185×116mm.



DNGL

Optional device that can be inserted inside the video intercom for connection to the local Wi-Fi network.
An alternative connection type to the standard Ethernet connection.
Allows connectivity to the VIDEX Cloud or through integrated browser the possibility of integration with third-party devices.

Videx Cloudconnected client

Videx CloudNected Client is a cross-platform application for smartphones and tablets that allows the user to interface to Videx IP products easily.

Register your account in the app and connect Videx IP devices by simply acquiring the device's QR code.

You can receive calls coming from your door panel wherever you are, without needing to keep the application open.

Call the connected devices and operate gates and doors even when you are away from home.

Note: this application does not replace the use of traditional monitors, the application performances are subject to the energy saving mode of the smartphone and to connectivity.



VIDEX SECURITY LTD.

Main UK Office

1 Osprey, Trinity Park, Trinity Way,
London, E4 8TD
tel: 0370 300 1240
www.videxuk.com

Northern UK Office

Unit 4-7 Chillingham Ind. Estate, Chapman Street,
Newcastle Upon Tyne, NE6 2XX
tel: 0370 300 1240
sales@videxuk.com

