



CDVI

Security to Access

2EASY



CDV-4791SA-DXB, CDV-4791SA-DXW

2EASY 2-Wire, 1-Way Kit, Black or White Monitor



EN

1] CONTENTS



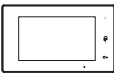



Title	Page
2] PACKAGE CONTENTS	3
3] CDV-91S DOOR STATION	3
Terminal Description	3
Installation	4
4] CDV-PC9 POWER/BUS COMBINER	5
5] CDV-470DX MONITOR	5
Terminal Description	5
Installation	6
Main Menu	7
Settings	8
7] SYSTEM WIRING AND CONNECTIONS	11
Single Door Station System Wiring	11
Multi Door Stations System Wiring	11
Multi Monitors System Wiring	12
Electric Lock Connections	14
Cable Requirements	15
8] PRODUCT SPECIFICATIONS	17
CDV-91S Door Station	17
CDV-470DX Monitor	17
CDV-PC9 Power, Bus Combiner	17
9] PRECAUTIONS	18



IMPORTANT

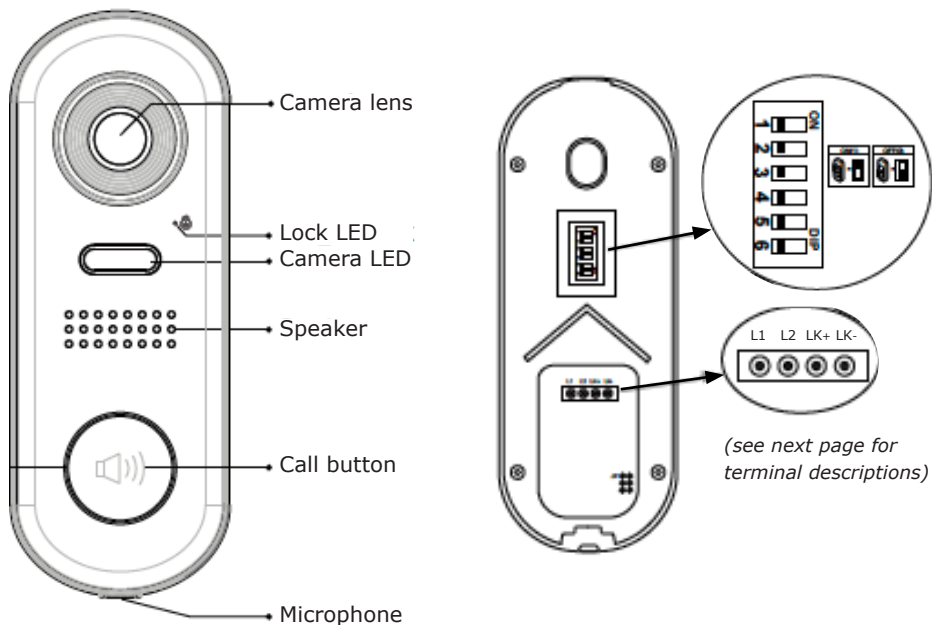
- This manual is limited in information. This manual gives basic installation requirements of the CDV-4791SA-DX kit. For advanced features, see the device's full manuals on the CDVI UK website: www.cdvi.co.uk
- For WiFi setup of the kit, see the [CDV-470DX manual](#).

2] PACKAGE CONTENTS

					
Door Station	Back Plate	Monitor	Power/Bus Combiner	145mm DIN Rail	Manual
1	1	1	1	1	1

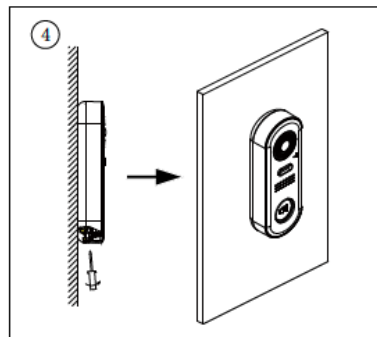
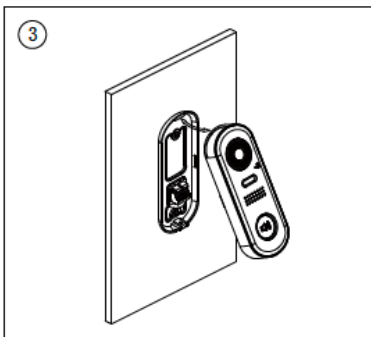
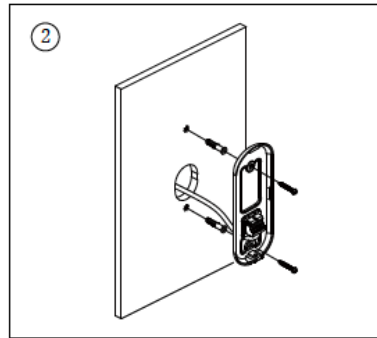
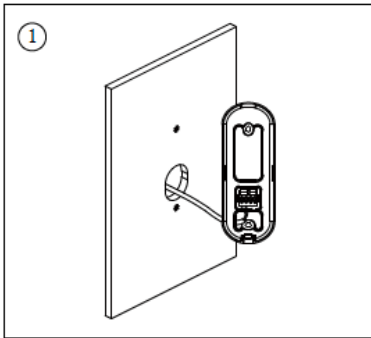
3] CDVI-91S DOOR STATION

Terminal Descriptions



	Terminal	Description
DIP	Bit 1 & 2	Sets the door station address. A total of 4 door stations can be supported. Refer to door station address settings.
	Bit 3 & 4	Set the unlock time for the door station. Refer to unlock time settings.
	Bit 5	Sets the unlock mode for the door station (0(OFF):open/1(ON):closed).
	Bit 6	0(OFF) --> 1(ON), to enter the setting mode.
	L1, L2	Connect to the Bus line, no polarity
	LK+	Lock power (+) output
	LK-	Lock power (-) output, connect to the power (-) inputs of the lock
	JP	Lock control jumper

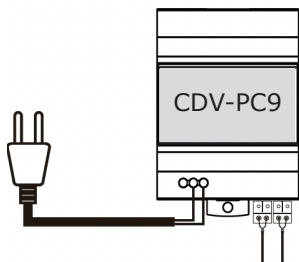
Installation



1. The recommended installation height for the door station is 145-160cm.
2. Use screws to fix the back panel to the wall and connect the cables correctly.
3. Attach the front panel to the back panel, then use the screw to secure the panel.

4] CDV-PC9 POWER/BUS COMBINER

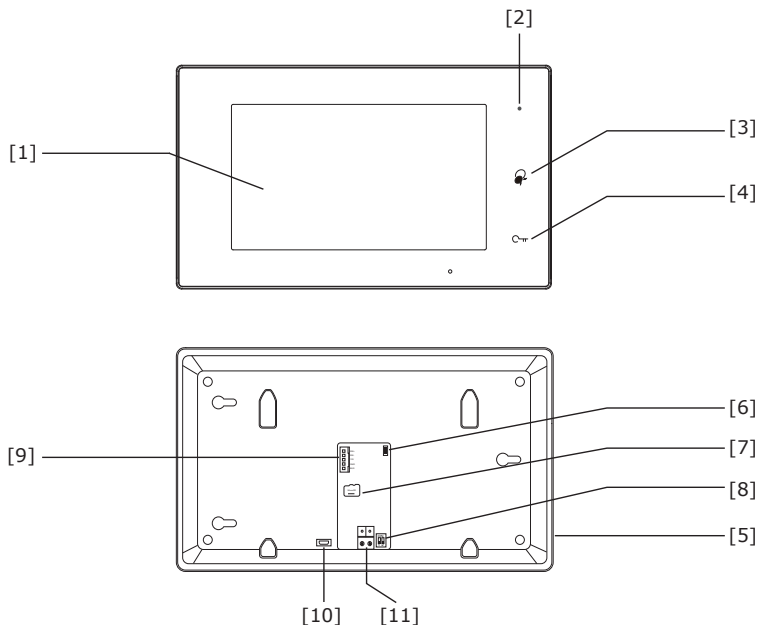
The CDV-PC9 is a power/bus combiner unit, which is designed for the CDV 2EASY 2-Wire system to supply power for the external station, internal monitor and other accessories on the bus. It can operate as a normal power/bus combiner or auxiliary PSU.



- Universal AC input/full range
- Multi protection: Short circuit, overload, over voltage
- Integrated with DPS (power separator)
- Support up to 4 to 8 monitors (dependent on models)
- DIN Rail Mounting

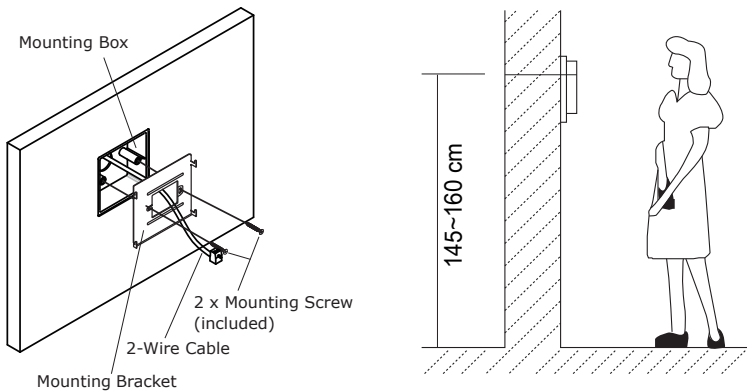
5] CDV-470DX MONITOR

Terminal Descriptions



	Terminal	Description
[1]	Digital LCD touch screen	See next page for details. Display the visitor's image.
[2]	Power/ Do not Disturb	Shows the power status of the system. Shows the Do Not Disturb status.
[3]	Talk button	Touch to communicate hands-free with visitors. Touch to view through the door station camera in standby mode.
[4]	Unlock button	Touch to release the door.
[5]	Speaker	For audio, ringtones and alerts
[6]	Upgrade button	Use to upgrade the software
[7]	SD card slot	Use to insert micro-SD card
[8]	Connection port	2 Wire Bus Terminal, Inputs/Outputs & DiP Switches
[9]	Terminal connections	SW+,SW-: Additional doorbell input connection port GND,BUS: Used to connect 24V local power supply
[10]	Micro USB socket	For data transfer
[11]	2-wire connection	Used for 2-wire systems

Installation

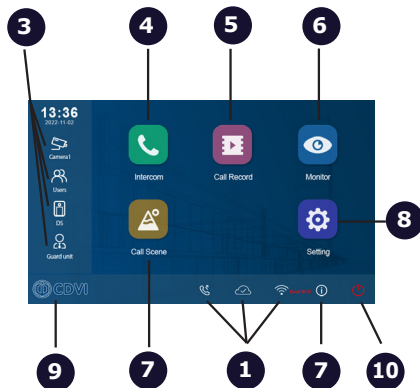


The unit can be installed vertically or horizontally.
 The recommended height is 145~160cm.

1. Use screws to fasten the mounting bracket to the wall with standard single gang flush lightswitch box.
2. Connect the 2-wire cables to the unit.
3. Mount the unit to the mounting bracket, making sure the unit is securely attached to the mounting bracket.

Main Menu

The Main Menu is your starting point for using all the applications on your monitor. Touch the **Unlock** button, or touch anywhere on the screen when in standby mode - the Main Menu will appear as follows:



Status bar

- 1 Displays icons that indicate the indoor monitor's status (see Status bar icons).

About icon

- 2 Allows you to view information about the device.

Shortcut windows

- 3 Touch to navigate directly to the corresponding items.

Intercom icon

- 4 Allows you to call other indoor monitors.

Call Record icon

- 5 Allows you to view the call record.

Monitor icon

- 6 Allows you to monitor the door stations and cameras.

Call Scene icon

- 7 Allows you to activate the No Disturb and Divert functions.

Setting icon












- 8 Use to change the indoor monitor's settings.

Logo

- 9 Shows the company brand CDVI by default.

Close icon

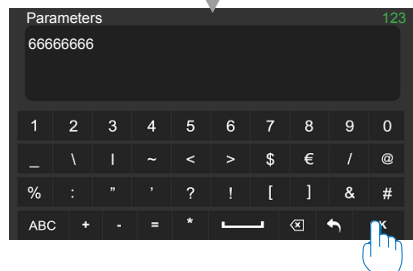
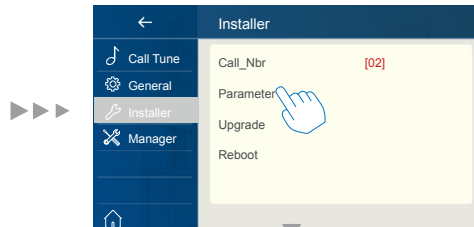
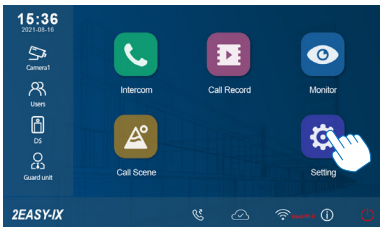
- 10 Touch to turn off the screen.

Icon	Description	
	Missed call	Displays when there is a missed call. Touch to review the missed call.
	Do not disturb	Indicates the device is in "Do Not Disturb" mode.
	Call transfer	Indicates the device is in "Divert Call" mode.
	Device online	Indicates the device is online, but not connected to the internet.
	Cloud server is working	Indicates the device is connected to the cloud server.
	No cloud server	Indicates the device is not connected to the cloud server.
	Cloud server anomaly	Indicates the device cloud server connection is abnormal, i.e. no internet.
	Mute	Indicates the device is in "Mute" mode.
	Recording	Indicates the device is recording.
	Talking	Indicates the device is in "Talking" status.
	Unlock	Indicates that the corresponding door is unlocked.

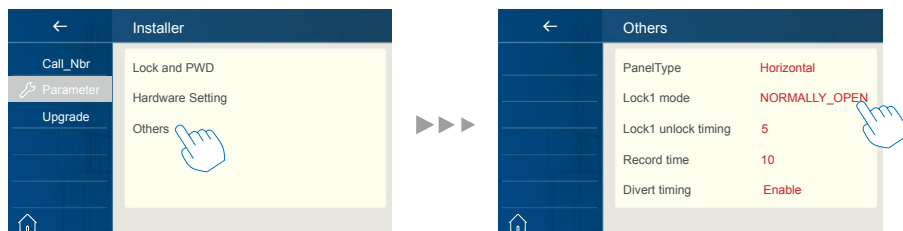
Settings

Unlock mode & Timing

- From the main menu, tap the **Settings** icon.
- A list of available settings is displayed.
- Select **Installer**, and then tap **Parameters**.
- Enter 66666666.

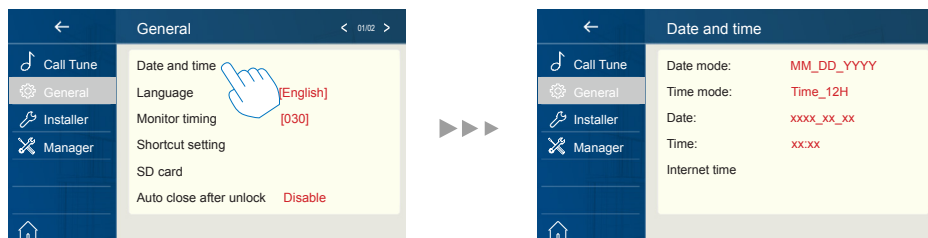


4. Click on Others.
5. Click on Lock1 mode to change the locking mode.
6. Click on Lock1 unlock timing to change the time the door should stay unlocked for until it's relocked.



Date & Time

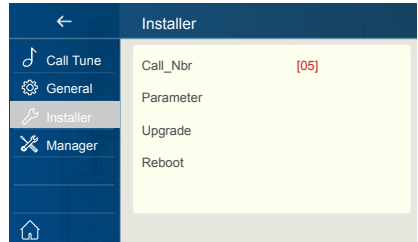
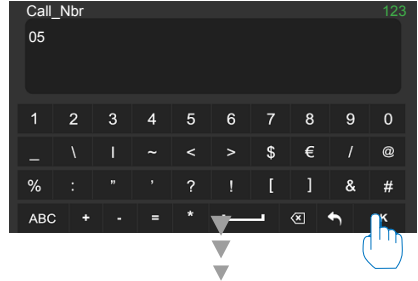
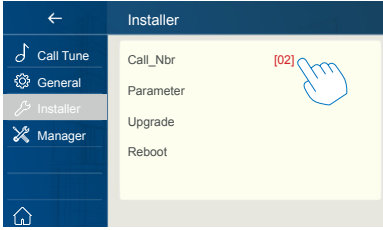
1. From the main menu, tap the **Settings** icon.
 - A list of available settings is displayed.
2. Select **General**, and then tap **Data and time** to update your device's data and time.



- **Date mode:** Select between two display options: month/date/year or date/month/year
- **Time mode:** Select between two display options: HOUR_12 or HOUR_24
- **Date:** Set the date.
- **Time:** Set the time.
- **Internet time:** Synchronise the time of the system.

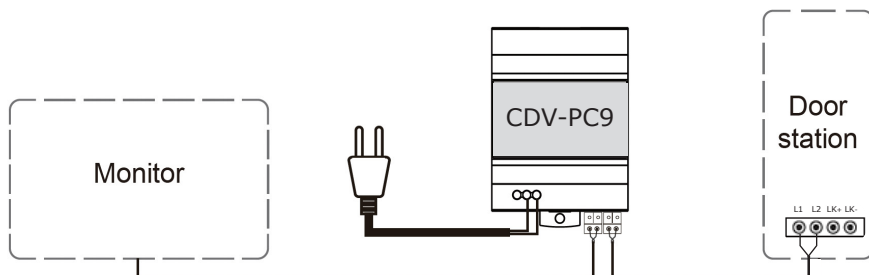
Address Setup

1. From the main menu, tap the **Settings** icon.
 - A list of available settings is displayed.
2. Select **Installer**, and then tap **Call_Nbr**.
3. Input the room number.

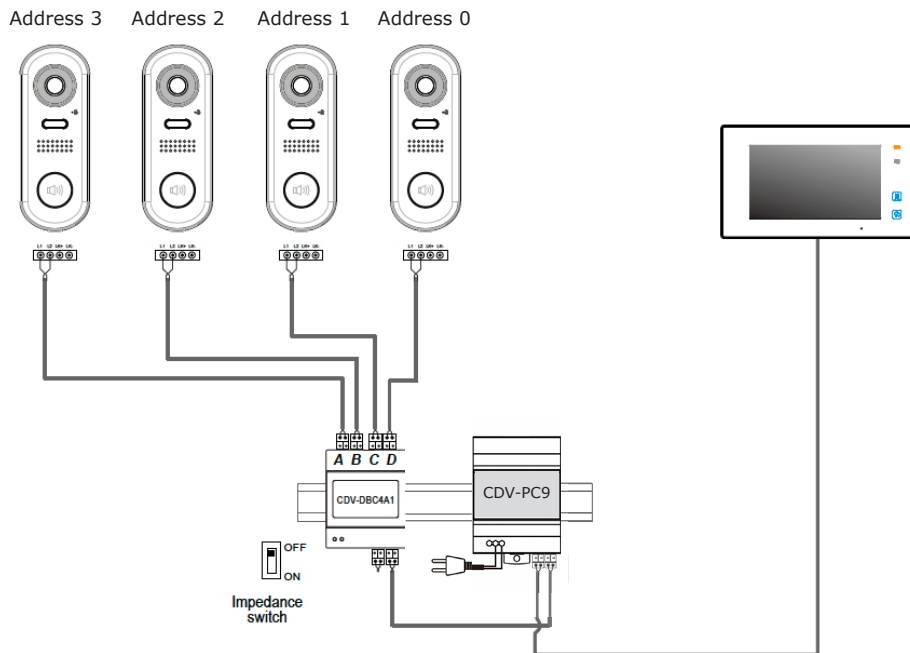


6] SYSTEM WIRING AND CONNECITONS

Single Door Station System Wiring

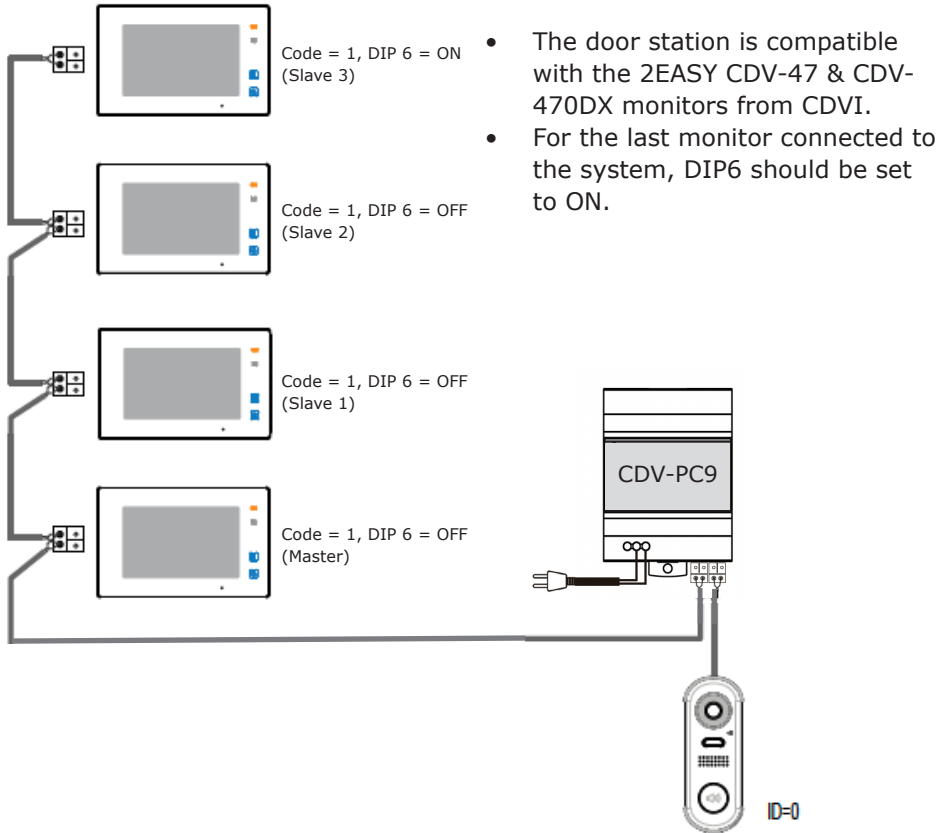


Multi Door Stations System Wiring (4 max*)



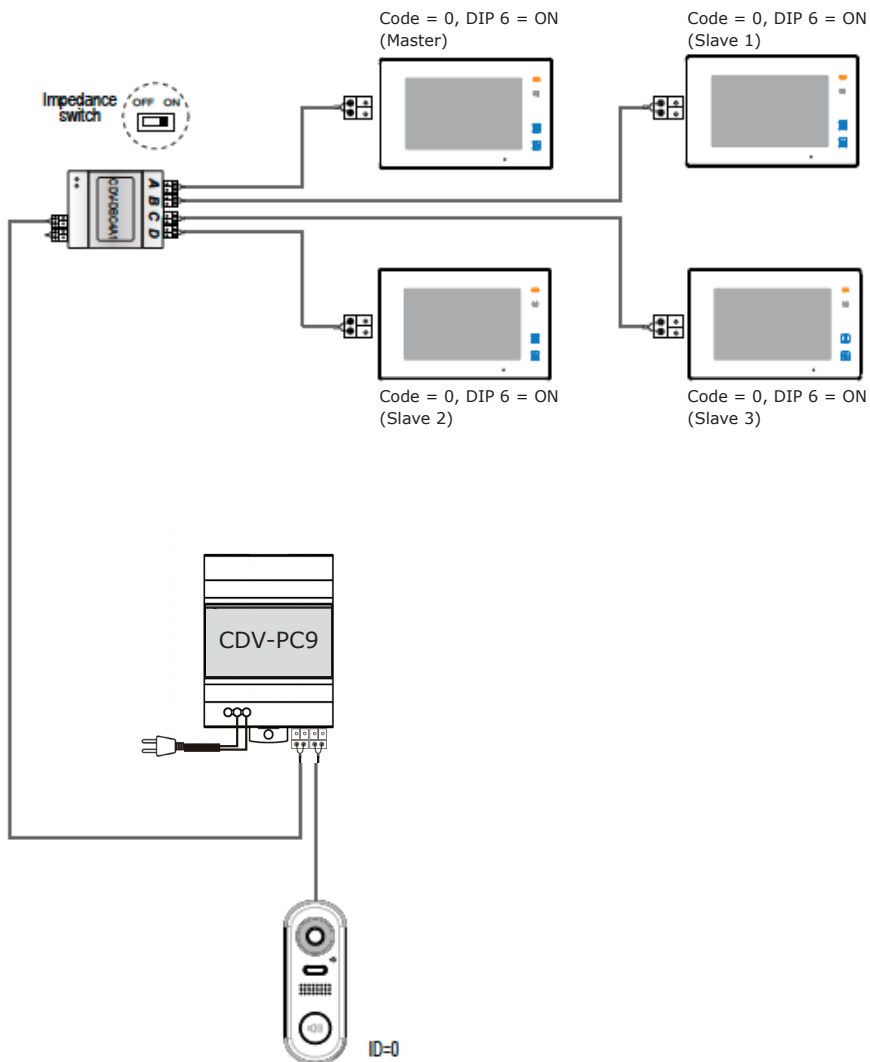
Multi Monitors System Wiring (4 max*)

Standard IN-OUT Wiring



***IMPORTANT: Subject to cable type. Please see cable distance chart on [pages 15-16](#).** For further help, call CDVI Technical Support on +44 (0) 1628 531300 or visit the [CDVI Support Centre](#).

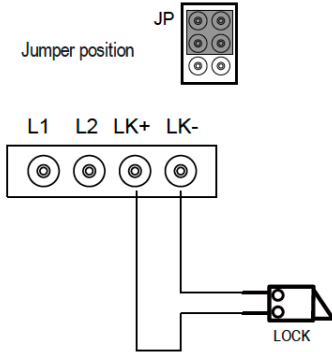
Star topology wiring with CDV-DBC4A



The system can be extended by up to 3 slave monitors for each monitor. We recommend you use the CDVI distributor CDV-DBC4A for the extension.

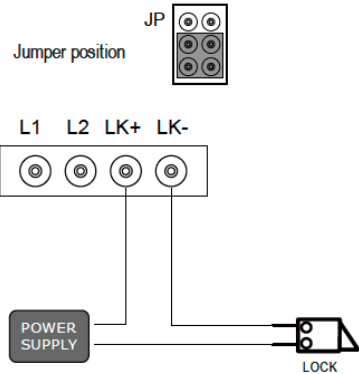
Electric Lock Connections

Lock controlled with internal power



1. This mode only supports fail secure (power on to unlock) Strikes.
2. The door lock is limited to 12V, and holding current must be less than 250mA.
3. The door lock control is not timed from exit button (EB).
4. The monitor's **Unlock Mode** parameter must be set to 0 (by default).

Lock controlled with dry contact

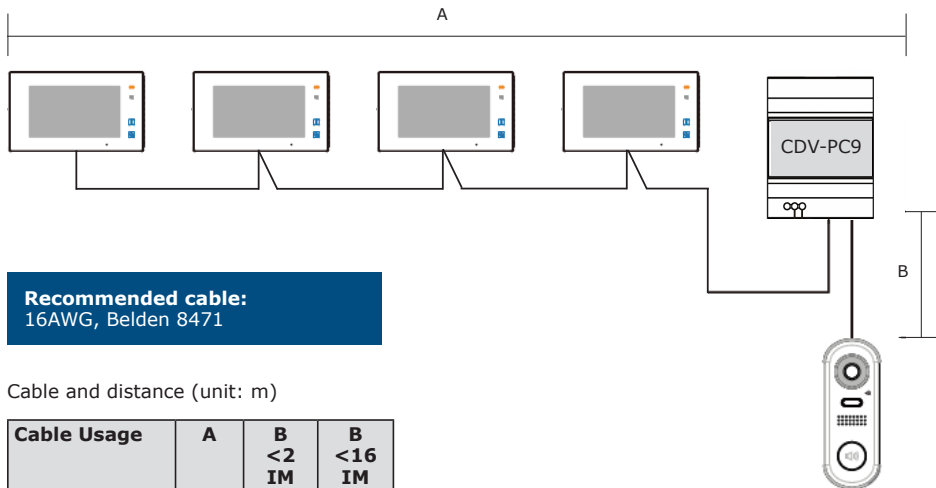


1. An external power supply must be used according to the lock power requirements.
2. The internal relay contact is restricted to AC or DC Max 24V/1A
3. Remove jumper before connecting.
4. Setup the monitor's **Unlock Mode** for different lock types.
 - Power-on-to-unlock (fail secure):
Unlock Mode = 0 (default)
 - Power-off-to-unlock (fail safe):
Unlock Mode = 1

Cable Requirements

The maximum distance of the wiring is limited in the 2EASY system. Using different cables may also affect the maximum distance which the system can reach.

Standard IN-OUT wiring

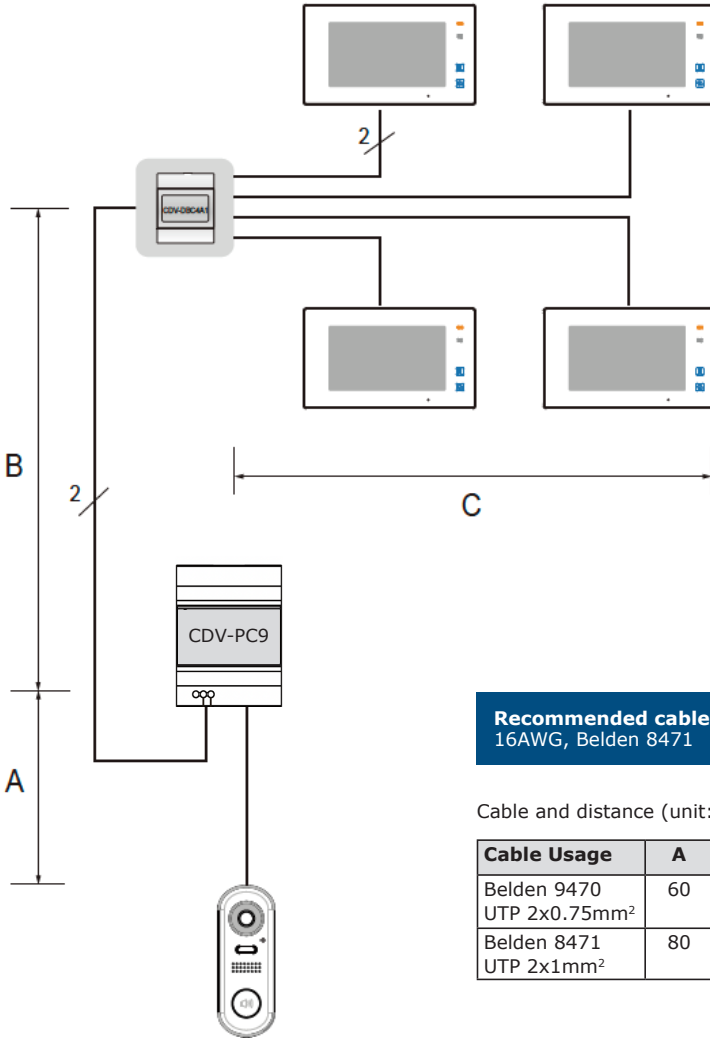


Recommended cable:
 16AWG, Belden 8471

Cable and distance (unit: m)

Cable Usage	A	B <2 IM	B <16 IM
Belden 9470 UTP 2x0.75mm ²	60	100	40
Belden 8471 UTP 2x1mm ²	80	120	60

Star topology wiring with CDV-DBC4A1



Recommended cable:
 16AWG, Belden 8471

Cable and distance (unit: m)

Cable Usage	A	B	C
Belden 9470 UTP 2x0.75mm ²	60	60	30
Belden 8471 UTP 2x1mm ²	80	80	40

7] PRODUCT SPECIFICATIONS

CDV-91S Door Station

Feature	Description
Power Supply	24 Vdc
Power Consumption	Standby: 14mA, Working: 122mA
Camera	Color CMOS, 2.0 megapixel 1/2.7" fisheye camera, 170° wide angle
Lock Power Supply	12 Vdc, 250mA (internal Power)
Operating Temperature	-15°C - +55°C
Dimensions	160(H) x 60(W) x 31.5(D) mm
IP Rating	IP44

CDV-470DX Monitor

Feature	Description
Power Supply	20-28Vdc
Power Consumption	Standby: 1.7W Working: 8.2W
Monitor Screen	7-inch IPS full view angle digital color TFT
Display Resolutions	1024 x 600 pixels (R, G, B)
Operating Temperature	- 10 to 50°C
Wiring	2 wires non-polarity, 100m
Dimensions	174(H) x 161(W) x 22(D) mm

CDV-PC9 Power/ Bus Combiner

Feature	Description
Input Voltage	100-240Vac
Input Frequency	50-60Hz
Rated Output Voltage	28Vdc
Rated Output Current	36W, 1.3A
Operating Temperature	-10°C~50°C
SW Port Input Voltage	Max 230Vac, 1.3A
Dimensions	98(H) x 70(W) x 58.4(D) mm

8] PRECAUTIONS

1. Clean the unit with soft cotton cloth, don't use any wet wipes, cloth, or chemical cleaning agent. If necessary, use a little pure water or diluted soapy water to clean the dust.
2. The unit is weather resistant. However, do not spray high pressure water directly onto the keypad. Excessive moisture may cause problems with the unit.
3. You must use the correct power adapter which is either supplied or approved by the manufacturer.
4. Pay attention to the high voltage inside the products, please refer service only to a trained and qualified professional.



CDVI

Security to Access

Extranet:CDVI_CDV4791SA-DX_IM_02_EN_A5_C

CDVI Group

FRANCE (Headquarters)

Phone: +33 (0) 1 48 91 01 02

.....

CDVI FRANCE + EXPORT

+33 (0) 1 48 91 01 02

www.cdvi.fr

CDVI AMERICAS

+1 866 610 0102

www.cdvi.ca

CDVI BENELUX

+32 (0) 56 73 93 00

www.cdvi.belux.com

CDVI GERMANY

+49 (0) 251 798477 0

www.cdvi.de

CDVI SUISSE

+41 (0) 21 882 18 41

www.cdvi.ch

CDVI IBÉRICA

+34 (0) 935 390 966

www.cdvi.iberica.com

CDVI ITALIA

+39 (0) 321 90 573

www.cdvi.it

CDVI MAROC

+212 (0) 5 22 48 09 40

www.cdvi.ma

CDVI NORDICS

+46 (0) 31 760 19 30

www.cdvi.se

CDVI UK

+44 (0) 1628 531300

www.cdvi.co.uk

CDVI POLSKA

+48 (0) 12 659 23 44

www.cdvi.com.pl

All the information contained within this document (pictures, drawings, features, specifications and dimensions) could be perceptibly different and can be changed without prior notice. - Sept 2024

www.cdvi.com