

Multiswitch 3000

The Multiswitch can be set for dusk to dawn switching or linked to passive infra-red or other presence detection systems.

When the Multiswitch is combined with presence detection equipment the applications multiply again to incorporate the control of all low voltage switching devices such as CCTV recording, pagers, sounders or the GJD Multispeech voice enunciation module.

Two volt-free relay contacts suitable for low voltage and mains up to 1500 Watts each

Dusk to dawn lighting system

Alarm activated light control with 'light on' timer option of 1 to 24 minutes

Dusk to 'off' control with timer option of 1 to 8 hours

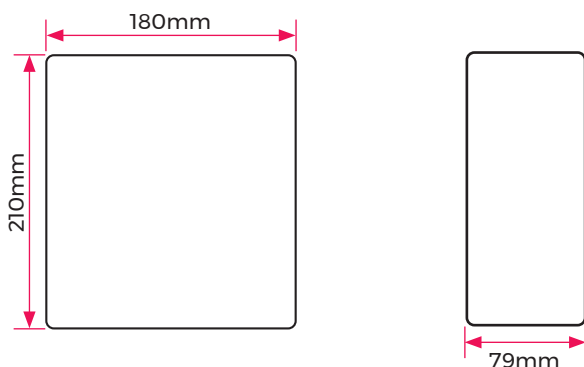
Dusk to 'off' followed by alarm activated until dawn
12VDC @500 mA to power cameras and / or other ancillary equipment



PRODUCT CODES

GJD065 Multiswitch 3000

DIMENSIONS



FEATURES

Dusk to dawn switching

Light on timer option

Alarm activated light control

Powers cameras and other ancillary equipment

BENEFITS

Can be linked to other detection systems

Low energy

Perfect for large installations